

CTX980 Wheel Loader

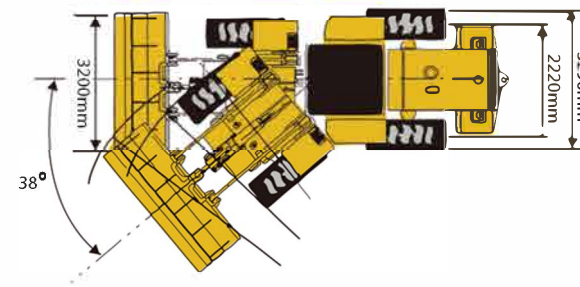
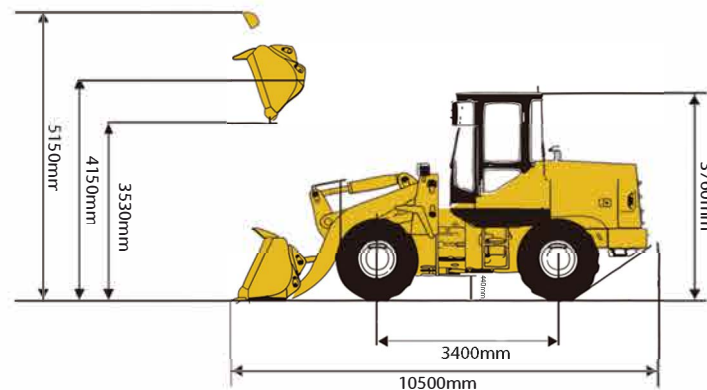


Specifications

Max. Traction Force	160KN	Lift Capacity (Rated Load)	8,000kg
Operating Weight	28,100kg	Static Tipping Load at full turn	16,200kg
Bucket Standard	5.0m ³	Min, Turning Radius Outside Bucket	8,650mm
CE Verification Number	DPWD/05/1048/2025	Min Turning Radius Outside Rear Wheel	8,253mm
		Max Breakout force	158KN

Dimensions

Length (Bucket on ground)	10,500mm	Max. Dump Height	3,530mm
Height	3,760mm	Front wheel to bucket edge	1,230mm
Width outside tyres	3,290mm	Wheelbase	3,740mm
Bucket Width	3,200mm	Wheel Centres	2,590mm



Steering System

Type	Full-hydraulic articulated steering
Cylinder bore /rod/stroke	90*50*424mm
Steering Orbital	LIKE 400
Steering Angle	38°
Working Pressure	3335Psi

Engine

Engine Make	WEICHAJ Tier VI
Model	WP10HG313E672
Rated Power	230kw
Rated RPM	2100rpm
Max. Torque	1400Nm
Displacement	9.72L
Cylinders	6
E9 Approval Mark	EV6/D V-31151

Hydraulics

Boom Cylinder Cylinder bore x piston rod Diameter x stroke	200x110x840mm
Bucket Cylinder Cylinder bore x piston rod Diameter x stroke	220x120x580mm
Pump Type	Gear driven
Pump Flow	480L/min
Pump Pressure	3335PSi
Lifting time (Max Load)	7s
Lowering time (Empty)	4.1s
Dumping time (Empty)	1.5s

Transmission

Torque Converter	Type	Single phase, hydraulic convertor		
	Torque Ratio	4.2		
Travel Speed	Speeds	Forward 1	8.7km/h	
		Forward 2	15.5km/h	
		Forward 3	24.5km/h	
		Forward 4	45km/h	
		Reverse1	0-8.7km/h	
		Reverse2	0-15.5km/h	
Transmission	Shift	Forward2/Reverse2		
	Transmission Ratio	Forward 1	2.155	
		Forward 2	1.578	
		Forward 3	0.875	
		Forward 4	0.433	
		Reverse1	2.155	
		Reverse2	1.578	
	Pump Type	Gear driven		
	Main Drive	Type	Single stage, spiral bevel gear	
		Gear Ratio	4.625	
Final Drive	Type	Single stage, planetary shift		
	Gear Ratio	4.94		
Driving Axle & Tyres	Type	4WD		
	Tyre Size	26.5-25		
	Optional Tyre Size			
Brake System	Service Brake Type	Air over hydraulic disc brakes		
	Parking Brake	Manual		

Service Fill Capacities

Fuel Capacity	230L	Main Drive Oil Capacity	32L
Hydraulic Oil Capacity	270L	Final Drive Oil Capacity	32L
Engine Oil Capacity	22.6L	Brake Fluid Capacity	4L
Transmission Oil Capacity	35L		