



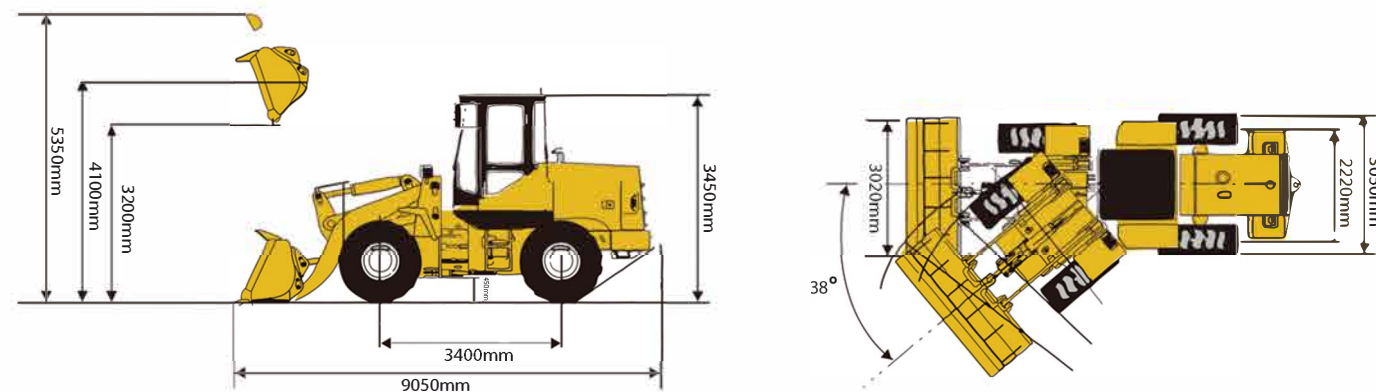
CTX960 Wheel Loader

Specifications

Max. Traction Force	18,265kgf	Lift Capacity (Rated Load)	6,000kg
Operating Weight	18,100kg	Static Tipping Load at full turn	11,200kg
Bucket Standard	3.5m ³	Min, Turning Radius Outside Bucket	6,879mm
Engine Make	Weichai	Min Turning Radius Outside Rear Wheel	6,036mm
Engine Model	WP10HG230E670	Max Breakout force	18,855kgf
		CE Verification Number	DPWD/05/1048/2025

Dimensions

Length (Bucket on ground)	9,050mm	Max. Dump Height	3,200mm
Height	3,450mm	Front wheel to bucket edge	1,130mm
Width outside tyres	3,050mm	Wheelbase	3,400mm
Bucket Width	3,020mm	Wheel Centres	2,220mm



Steering System

Type	Full-hydraulic articulated steering
Cylinder bore /rod/stroke	90*50*424mm
Steering Orbital	SEM
Steering Angle	38°
Working Pressure	2030Psi

Engine

Engine Make	WEICHAJ Tier VI
Model	WP10HG230E670
Rated Power	170kw
Rated RPM	2200rpm
Max. Torque	1100Nm
Displacement	9.7L
Cylinders	6
E9 Approval Mark	EV6/D V-31151

Hydraulics

Boom Cylinder Cylinder bore x piston rod Diameter x stroke	165x90x767mm
Bucket Cylinder Cylinder bore x piston rod Diameter x stroke	190x100x545mm
Pump Type	Gear driven
Pump Flow	160L/min
Pump Pressure	2610PSi
Lifting time (Max Load)	5.5s
Lowering time (Empty)	3.0s
Dumping time (Empty)	1.2s

Transmission

Torque Converter	Type	Single phase, hydraulic convertor		
	Torque Ratio	4.2		
Travel Speed	Speeds	Forward 1	10km/h	
		Forward 2	20km/h	
		Forward 3	30km/h	
		Forward 4	40km/h	
		Reverse1	15km/h	
		Reverse2	20km/h	
Transmission	Shift	Forward2/Reverse2		
	Transmission Ratio	Forward 1	2.155	
		Forward 2	1.642	
		Forward 3	1.215	
		Forward 4	1.107	
		Reverse 1	1.785	
		Reverse 2	1.642	
		Reverse 3		
		Pump Type	Gear driven	
	Main Drive	Type	Single stage, spiral bevel gear	
Gear Ratio		4.625		
Final Drive	Type	Single stage, planetary shift		
	Gear Ratio	4.94		
Driving Axle & Tyres	Type	4WD		
	Tyre Size	23.5-25		
	Optional Tyre Size			
Brake System	Service Brake Type	Air over hydraulic disc brakes		
	Parking Brake	Manual		

Service Fill Capacities

Fuel Capacity	220L	Main Drive Oil Capacity	32L
Hydraulic Oil Capacity	180L	Final Drive Oil Capacity	32L
Engine Oil Capacity	22.6L	Brake Fluid Capacity	4L
Transmission Oil Capacity	35L		