



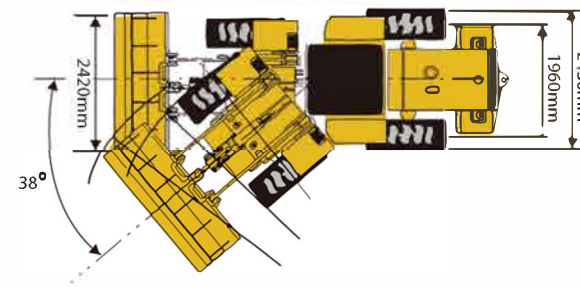
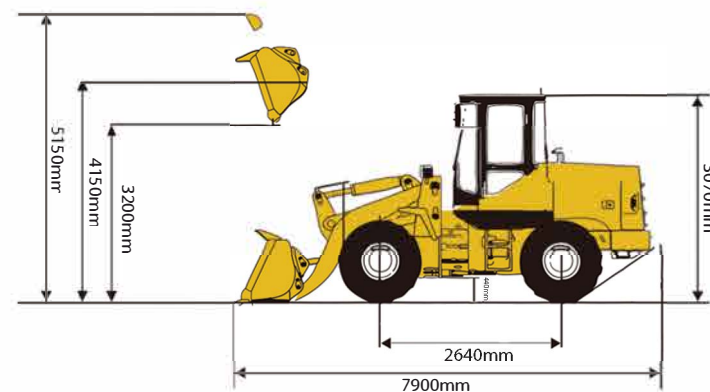
CTX939 Wheel Loader

Specifications

Max. Traction Force	9,950kgf	Lift Capacity (Rated Load)	3,000kg
Operating Weight	10,500kg	Static Tipping Load at full turn	6,700kg
Bucket Standard	1.8m ³	Min, Turning Radius Outside Bucket	5,850mm
Bucket Option	2.5m ³	Min Turning Radius Outside Rear Wheel	5,362mm
		Max Breakout force	9,750kgf
		CE Verification Number	DPWD/05/1048/2025

Dimensions

Length (Bucket on ground)	7,900mm	Max. Dump Height	3,200mm
Height	3,070mm	Front wheel to bucket edge	950mm
Width outside tyres	2,430mm	Wheelbase	2,580mm
Bucket Width	2,420mm	Wheel Centres	1,700mm



Steering System

Type	Full-hydraulic articulated steering
Cylinder bore /rod/stroke	80*45*327mm
Steering Orbital	LIKE 400
Steering Angle	38°
Working Pressure	2030Psi

Engine

Engine Make	WEICHAJ Tier VI
Model	WP4.6NG135E670
Rated Power	99kw
Rated RPM	2200rpm
Max. Torque	670Nm
Displacement	4.6L
Cylinders	4
E9 Approval Mark	EV6/D V-31150

Hydraulics

Boom Cylinder Cylinder bore x piston rod Diameter x stroke	125x70x771 mm
Bucket Cylinder Cylinder bore x piston rod Diameter x stroke	140x80x502mm
Pump Type	Gear driven
Pump Flow	100L/min
Pump Pressure	2320PSi
Lifting time (Max Load)	6s
Lowering time (Empty)	3.1s
Dumping time (Empty)	1.0s

Transmission

Torque Converter	Type	Single phase, hydraulic convertor		
	Torque Ratio	2.86		
Travel Speed	Speeds	Forward 1	7km/h	
		Forward 2	12km/h	
		Forward 3	27km/h	
		Forward 4	35km/h	
		Reverse1	0-7km/h	
		Reverse2	0-12km/h	
Transmission	Shift	Forward2/Reverse2		
	Transmission Ratio	Forward 1	3.82	
		Forward 2	2.08	
		Forward 3	1.09	
		Forward 4	0.59	
		Reverse1	3.05	
		Reverse2	0.87	
	Pump Type	Gear driven		
	Main Drive	Type	Single stage, spiral bevel gear	
		Gear Ratio	4.222	
Final Drive	Type	Single stage, planetary shift		
	Gear Ratio	4.8		
Driving Axle & Tyres	Type	4WD		
	Tyre Size	17.5-25		
	Optional Tyre Size	20.5-25		
Brake System	Service Brake Type	Air over hydraulic disc brakes		
	Parking Brake	Manual		

Service Fill Capacities

Fuel Capacity	180L	Main Drive Oil Capacity	13L
Hydraulic Oil Capacity	160L	Final Drive Oil Capacity	13L
Engine Oil Capacity	17.5L	Brake Fluid Capacity	4L
Transmission Oil Capacity	25L		