

CTX388 Backhoe Loader

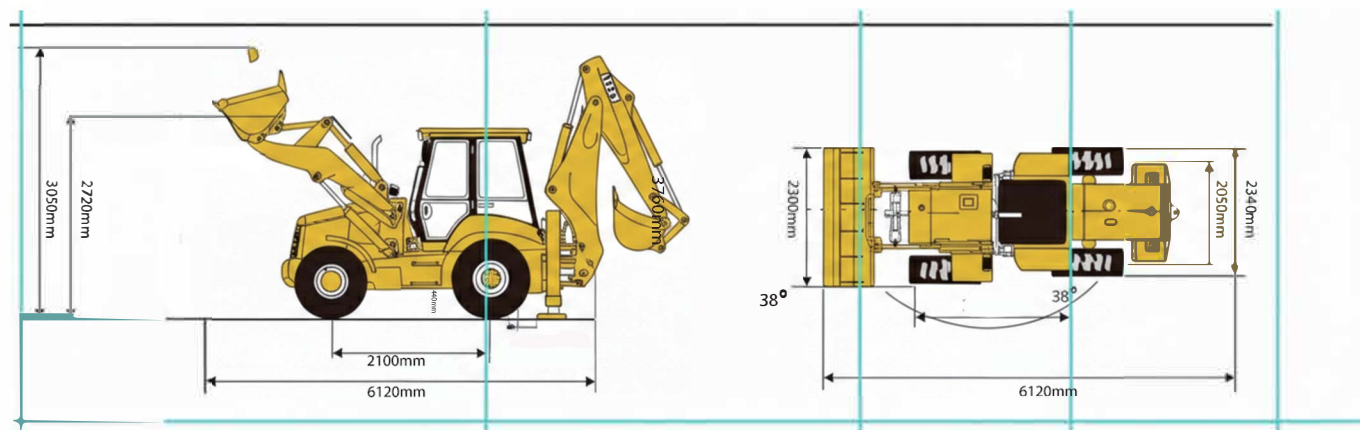


Specifications

Max. Traction Force	50KN	Lift Capacity (Rated Load)	2,500kg
Operating Weight	8,200kg	Rated digging bucket capacity	0.3m ³
Bucket Standard		1.0m³ Max digging radius	5,600mm
CE Verification Number	DPWD/05/1047/2025	Max digging height	3,975mm
		Max Breakout force	45KN

Dimensions

Length (Bucket on ground)	6,120mm	Max. digging depth	4,500mm
Height	3,760mm	Front wheel to bucket edge	730mm
Width outside tyres	2,340mm	Wheelbase	2,100mm
Bucket Width	2,300mm	Wheel Centres	1,750mm



Steering System

Type	Full-hydraulic articulated steering
Steering Orbital	LIKE 250
Steering Angle	38°
Working Pressure	2030Psi

Engine

Engine Make	WEICHAJ Tier V
Model	WP3.6NG101E680
Rated Power	74kw
Rated RPM	2200rpm
Max. Torque	350Nm
Displacement	3.6L
Cylinders	4
E9 Approval Mark	EV5/D V-31256

Hydraulics

Boom Cylinder Cylinder bore x piston rod Diameter x stroke	800x450x1170mm
Bucket Cylinder Cylinder bore x piston rod Diameter x stroke	700x400x1040mm
Pump Type	Gear driven
Pump Flow	120L/min
Pump Pressure	2030PSi
Lifting time (Max Load)	6s
Lowering time (Empty)	3.1s
Dumping time (Empty)	1.5s

Transmission

Torque Converter	Type	Single phase, hydraulic convertor	
	Torque Ratio	3.7	
Travel Speed	Speeds	Forward 1	11km/h
		Forward 2	25km/h
		Reverse1	0-11km/h
		Reverse2	0-25km/h
Transmission	Shift	Forward2/Reverse2	
	Transmission Ratio	Forward 1	3.85
		Forward 2	1.25
		Reverse 1	3.85
		Reverse 2	1.25
	Pump Type	Gear driven	
Main Drive	Type	Single stage, spiral bevel gear	
	Gear Ratio	4.43	
Final Drive	Type	Single stage, planetary shift	
	Gear Ratio	4.26	
Driving Axle & Tyres	Type	4WD	
	Tyre Size	14-17.5 19.5L-24	
	Optional Tyre Size		
Brake System	Service Brake Type	Air over hydraulic disc brakes	
	Parking Brake	Manual	

Service Fill Capacities

Fuel Capacity	130L	Main Drive Oil Capacity	7.6L
Hydraulic Oil Capacity	140L	Final Drive Oil Capacity	17L
Engine Oil Capacity	11L	Brake Fluid Capacity	2.5L
Transmission Oil Capacity	22L		